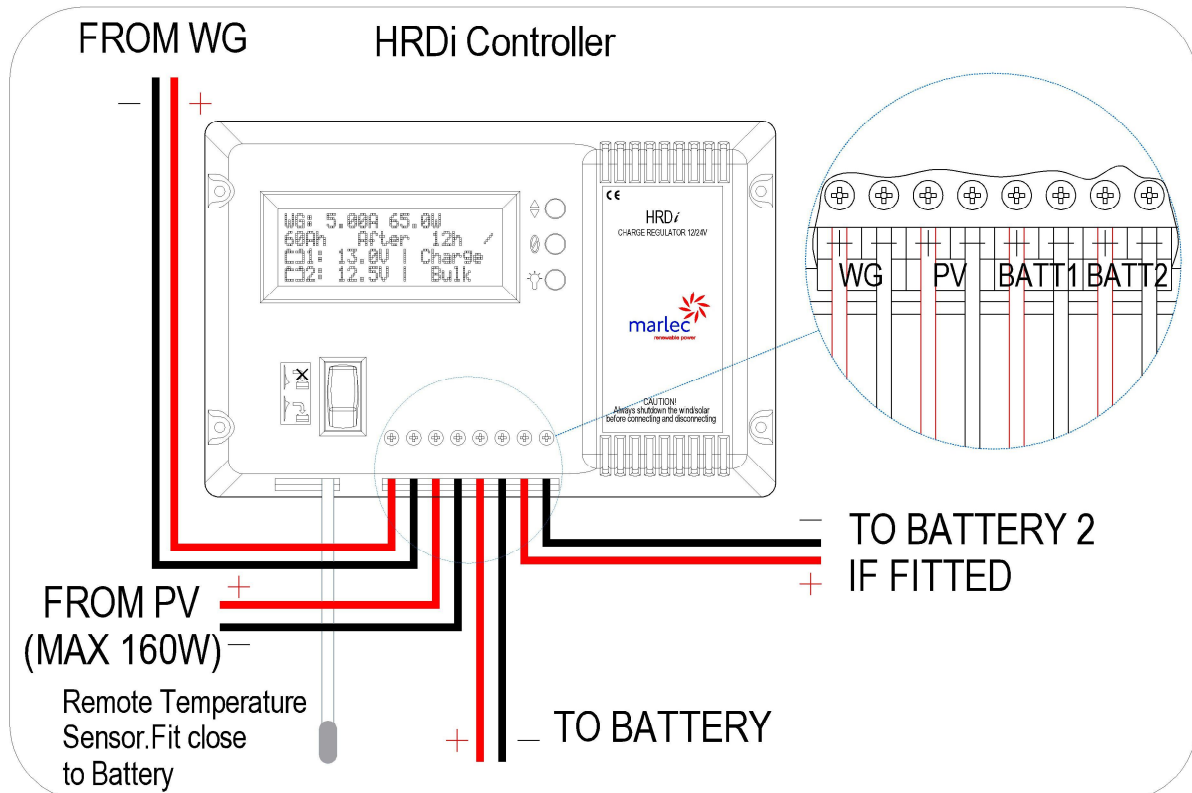
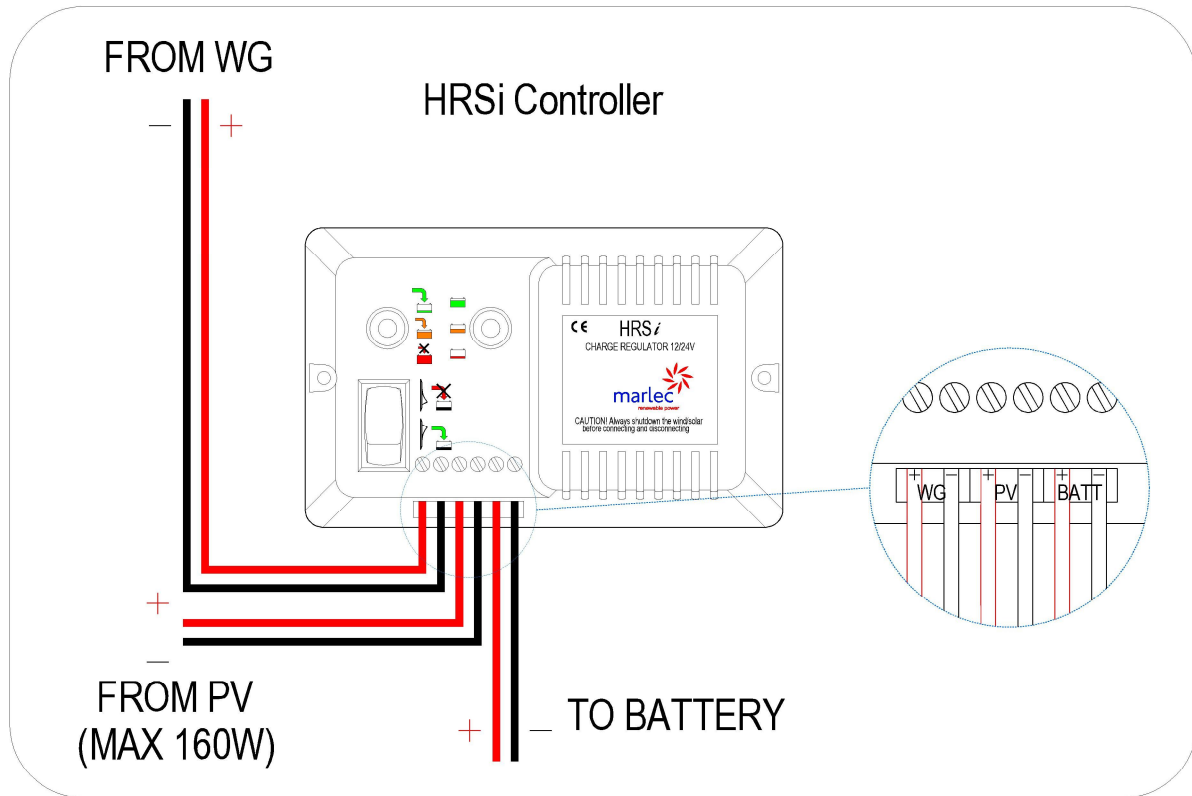


Marlec Renewable Power

Schematic Diagram SW-006—HRSi HRDi to WG & PV



Schematic Diagram to show connection to a Marlec hybrid HRSi or HRDi Controller of a WG (wind generator) Rutland turbine (504, 914i, FM910 series models) and PV solar panels charging a single or dual battery bank(s). The position of the Remote Temperature Sensor included with the HRDi is shown, when connected the internal sensor is overridden.



Warning! Do not exceed maximum voltage & peak power rating stated or damage will occur.