

Rutland FM910-4 Windcharger

(12V or 24V)

Owners Manual

Installation and Operation



Blank Page

Contents

	Page
Introduction	4
Summary of Features and Uses	4
Profile and Dimensions	4
General Guidelines and Warnings	5
Check You Have Received	6
Exploded View	6
Tools & Other Items	6
Assembly & Installation	7
Eleven Step Quick Start Guide	7
Assembly & Installation Detailed Instructions	8
Tower Preparation	8
Blade & Nose Assembly	8
Tail Assembly	9
Electrical Connection & Fitting to the Tower	10
Up and Running	10
Typical Wiring Diagrams	11
Siting The Windcharger	12
General Considerations	12
Tower Construction	13
Further System Requirements	14
Batteries	14
Cable Specification	14
Specification and Performance	15
Maintenance and Troubleshooting	16
Inspection and Maintenance	16
Troubleshooting	17
Instructions in Other Languages	
Installation Instructions (abbreviated) - French	19
Installation Instructions (abbreviated) - Spanish	22
Installation Instructions (abbreviated) - German	25
Installation Instruction (abbreviated) - Italian	28
Installation Instruction (abbreviated) - Polish	31
For Your Records	34
Limited Warranty	35

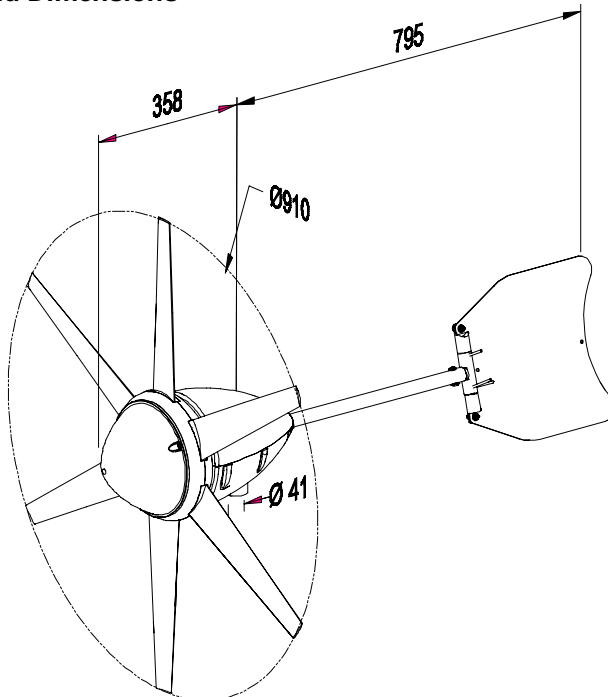
Introduction

Congratulations and thank you for purchasing your Rutland FM-910-4 Windcharger. The utmost of care goes into the manufacture of all our products in our ISO9001 approved factory. To ensure you get the very best out of the Rutland FM910-4 we recommend that you read this manual and familiarise yourself with its contents before installing and operating the Windcharger system.

Summary of Features and Uses

- Automatic “furling” tail fin directs the turbine out wind above 15m/s for gale protection.
- Low wind speed start up maximises power generation in low winds.
- High grade construction materials for durability in the harshest environments.
- Provides a D.C. power supply to charge 12 or 24 V battery banks.
- Designed for use on permanent land based applications where low power is needed for professional and domestic devices.
- Ideally mounted on the Rutland Land Tower and Rigging Kit – see product catalogue.

Profile and Dimensions



General Guidelines and Warnings

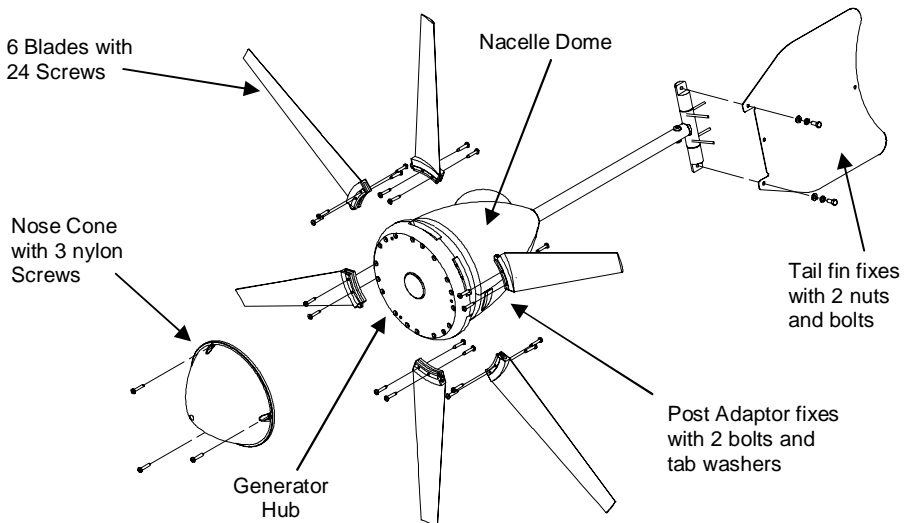
- *Mounting pole outside diameter MUST NOT exceed 50mm for at least the top 0.5m to ensure secure fitting onto the pole. Below that larger section poles may be used to achieve a suitable tower. It is essential for the effective operation of the furling tail system that the mounting pole is vertical. Note that an unsupported tower will experience lateral movement particularly in high winds and furling could be adversely affected with potential damage to the Windcharger.*
- *When turning, the Windcharger is capable of generating voltages in excess of the nominal voltage. The turbine must never be allowed to rotate unless it is electrically connected to a regulator or batteries. Connecting an open circuit running turbine to the electrical system can cause serious damage to system components owing to excessive voltage. Caution must be exercised at all times to avoid electric shock.*
- *Stopping the turbine – this may be necessary to undertake battery maintenance. If possible stopping the turbine should be done in low wind speed conditions. The turbine can be slowed by rotating or orienting the tail fin upwind, this will slow the turbine sufficiently for it to be safely secured to the pole with rope. Avoid leaving the turbine tied up for any period of time, we recommend that the turbine either be covered to give protection from the weather or removed and stored in a dry location. We recommend the use of Marlec charge regulator that includes a shutdown switch.*
- *Choose a calm day to install the equipment and consider other safety aspects. No attempt to repair the system should be made until the wind generator is restrained from turning.*
- *The Windcharger is fitted with ceramic magnets, which can be damaged by heavy handling. The main generator assembly should be treated with care during transit and assembly.*
- *It is essential to observe the correct polarity when connecting the Windcharger and all other components into an electrical circuit. Reverse connection will damage the Windcharger and incorrect installation will invalidate the warranty.*
- *High winds – The furling tail mechanism of the Furlmatic model will operate in high winds orienting the turbine out of the prevailing wind direction to slow the turbine down. It will return to face the wind as windspeeds fall and will be seen to cycle during high wind speeds. As a secondary safety feature the Windcharger has a built-in thermostat which may operate in extreme conditions to prevent the generator overheating. In this mode the output will cease and the turbine will temporarily slow down until such time as a lower temperature is reached and the generator is once again connected and charging. This may be seen to cycle in prolonged high winds particularly in high ambient temperatures.*

If in doubt refer to your dealer, a competent electrical engineer or the manufacturer.

Check You Have Received - See FM910-4 Exploded View

- | | |
|---|--------------------------|
| 1 x Main generator assembly | 2 x M10 hex head screws |
| 1 x Tail Fin | 2 x Tab washers |
| 6 x aerofoil blades | 1 x 2-way terminal block |
| 24 x No. 0x25mm special self-tapping screws | |

In the event of loss or damage, consult your dealer or the manufacturer.

Exploded View of Rutland FM910-4**Tools That You Will Need:**

- Suitable wire stripper
- Small terminal screwdriver
- Large flat blade screwdriver
- Crosshead screwdriver
- 10mm and 17mm Spanner

Other Items You Will Need:

- Tower/Mounting pole
- Batteries
- Battery terminals
- Cable
- Connector blocks (as determined by your total system)

Other Items You May Have Selected from Marlec:

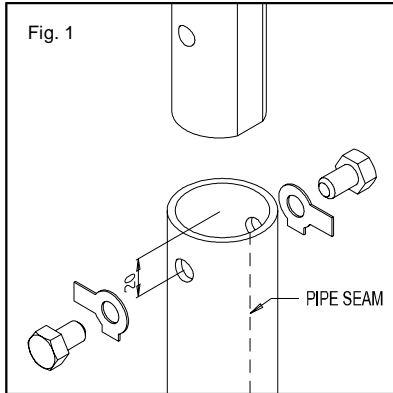
- A Rutland Charge Regulator - visit www.marlec.co.uk for current models
- Land Tower and Rigging Kit (Part Nos. CA-12/08 & CA-12/07)
- Cable (usually 2.5mm² twin core - Part No: 902-015)

Assembly & Installation

Eleven Step Quick Start Guide

1. Choose an open site that exposes the Windcharger to a clear flow of wind and avoids obstructions, this is essential for effective operation of the furling tail system. *Read the section on **Siting**.*
2. Choose a mounting pole with an internal diameter of 41mm and external diameter of no greater than 50mm for the top 0.5 m minimum to ensure secure fixing to the tower. Any play between the tower and the post adaptor must be taken up with a "shim."
3. Drill the mounting pole, if required, in preparation to accept and secure the Windcharger. *See **Assembly and Installation** section.*
4. Choose suitable two core cable to connect from the Windcharger to the regulator. Up to 20m this should be of at least 2.5mm² cross sectional area. *For other distances see the table in **Cable Specifications**.* A short section of 4mm² cross sectional area is required to link the regulator to the battery.
5. Position the mounting pole (*this may be done on the ground before raising the pole*) so that the selected cable can be threaded along it.
6. Fit the blades, tail and nose to the Windcharger using fasteners provided. **It is essential that 4 screws are fitted per blade.**
7. Join the cable threaded through the pole to the Windcharger output cable using the connector block provided. Wrap with insulating tape. Alternatively use a latching plug and socket. *We recommend looping back the cable and securing with a cable tie to provide strain relief to the joint.*
8. Carefully push the cables down the pole whilst sliding the post adaptor down the pole. Line up the holes and secure in place with the screws and tab washers provided. **Do not allow the turbine to spin freely.**
9. Locate the Marlec charge regulator close to the battery and carefully follow ALL the regulator guidelines and installation sequences for connecting the Windcharger through to the battery.
10. Ensure that the battery connections are permanent as the Windcharger should NEVER be operated without a connection to the battery.
11. Raise and secure the Windcharger. It can now be allowed to rotate. Follow the **Up and Running- Five Points Final Checklist** featured later. Also the **General Guidelines and Warnings** section expands on the above points.

Assembly and Installation Detailed Instructions



Tower Preparation (Fig.1)

1. Select a suitable pole from the suggested guidelines in Tower Construction.

Note: the post adapter fitted to the FM910-4 is designed to fit inside a standard 41mm (1 $\frac{5}{8}$ ") internal diameter tube.

The adaptor is provided with a flat on one side to clear any tube weld seam.

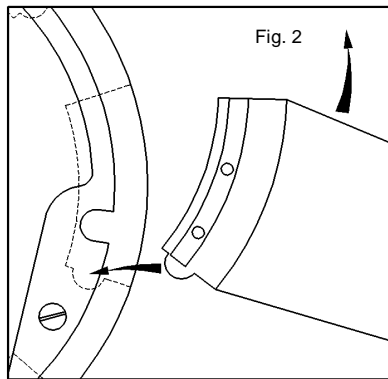
Items 2 and 3 can be ignored when using a pre-primed Marlec pole.

2. Mark and centre-punch two positions diametrically opposite 20mm from top of the tube at 90° to any tube seam if necessary.

Note: Use metric measurements for this operation

3. Drill two holes 10.5mm in diameter on centre-punch positions.

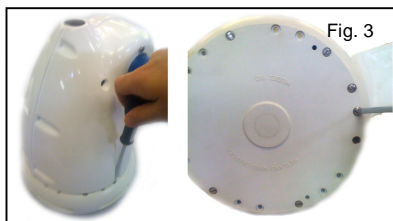
Note :Use metric measurements for this operation



Blade & Nose Assembly

1. Place the generator assembly on a flat surface hub-side down. Position blade as shown. **The blades will only fit one way around.** (Fig. 2)

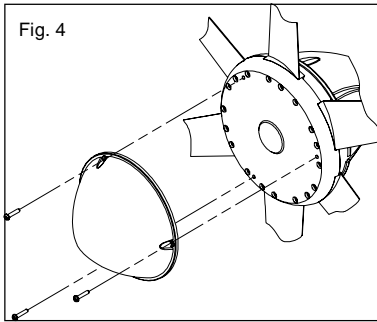
2. Insert the protrusion at the trailing edge of the blade root fixing first into the socket to align with the corresponding recess in the blade socket. The blade can be inserted with a lever action and a soft faced mallet may be used to tap the end of the blade to fully locate it.



Caution- It is essential that all 4 screws are fitted!

3. First fit each blade with two special self-tapping screws provided to the rear of each blade by inserting each in turn through the cut out in the nacelle, rotating the generator each time until the holes align. (Fig. 3)

4. Fit the remaining blade screws from the front of the generator hub. Check tightness of all screws but do not over-tighten.

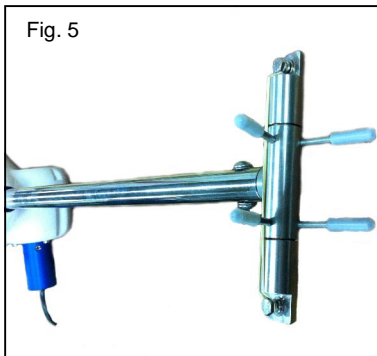


5. Fit the plastic nose dome in position on the front of the generator hub and secure in place with the three nylon screws provided. (Fig.4)

Recheck the tightness of all screws in a few weeks time as loosening is possible.

Alternatively the blades, tail and nose dome can be fitted after mounting the generator assembly to the tower.

Tail Assembly



Fit the tail fin on to the hinge assembly using the screws and washers already present (Fig's 5 and 6)

Do not remove the silicone protectors from the tail stops!



NB. The tail fin is set at an angle of 15° from vertical. This is vital to the furling mechanism and should not be altered.

For the effective operation of the furling system the wind turbine must be sited to ensure it is as free as possible from turbulence and the tower is in a stable, upright position.

Electrical Connection and Fitting to The Tower

1. Run the cable selected, see **Cable Specification**, down the inside of the pole.
2. Select one of the 2 basic wiring systems, **Typical Wiring Diagrams** and follow the manual provided with the voltage controller.
3. Connect the wind generator flying leads to the cable protruding from the tower using the connector block supplied, taking care to observe polarity. Connect the Windcharger + to cable + and windcharger – to cable –

Red is + Positive
Black is - Negative

4. Wrap the connection with insulation tape to secure/protect from environment. Alternatively join the cables using a latching-type plug and socket.
5. Locate the wind generator into the tower whilst gently easing the cable from the tower base to ensure the cable is not trapped.
6. Secure the wind generator to the tower using the hex head bolts and tab washers provided. Use a flat blade screwdriver to fold the tabs around the hex head bolt, this helps to prevent the bolts from loosening.

Up and Running

Five Point Final Checklist

Before raising and securing the wind generator:

1. Check the tightness of the blade & tail fixing screws and generator mounting screws.
2. Check free rotation of the hub and yaw axis.
3. Check the tail fin is free and sitting at a 15° angle off vertical
4. Check that the cable is not trapped.
5. Check that all electrical connections are secure and safe.

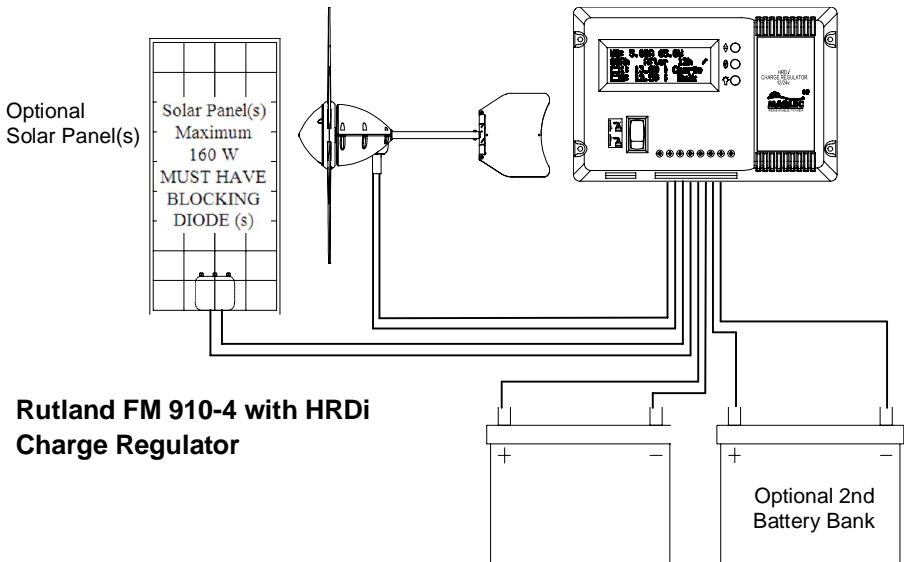
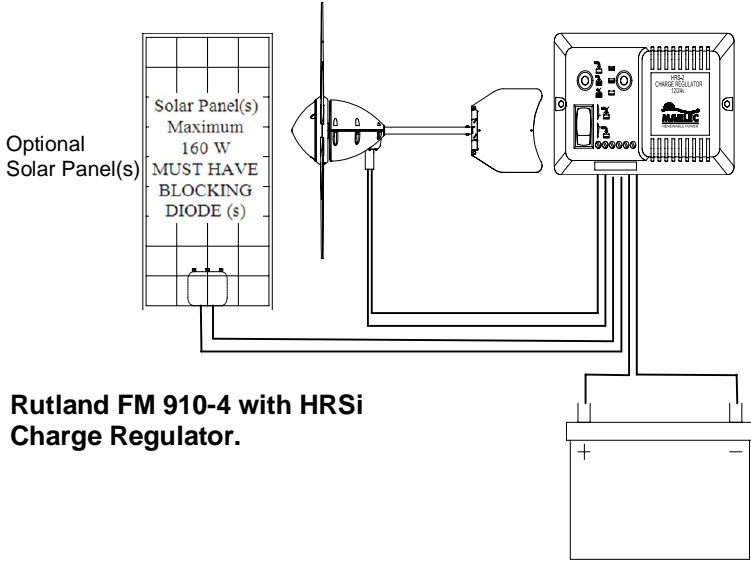
The wind generator can now be raised into position.

Take care to avoid all moving parts when raising and lowering the wind generator.

When raised, secure the structure firmly in an upright position.

Caution-The performance of your Windcharger will be impaired if the pole is not vertical.

Typical Wiring Diagrams For Rutland FM910-4 Windcharger



NB: Follow the installation instructions provided with the selected Marlec regulator.

Siting The Windcharger

General Considerations

The location and height of the mounting pole or tower for your wind turbine will be the major factor in the overall performance of your system. The smooth flow of wind over land and water is often interrupted by a multitude of obstructions causing wind shear and turbulence.

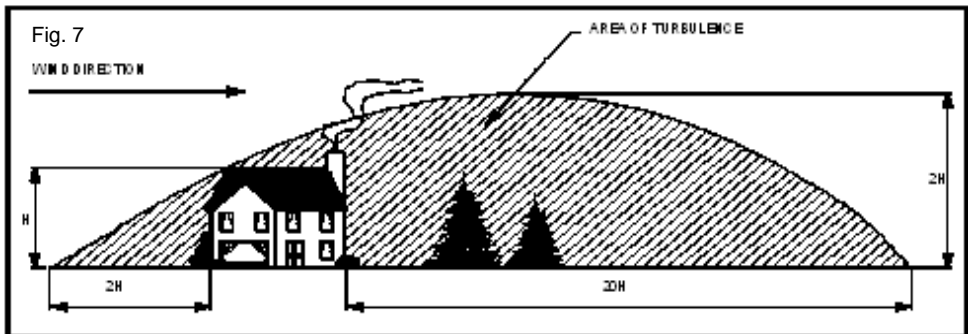
Wind shear describes the interference between the fast moving upper air and the slow moving air close to the ground and the resulting decrease in average wind speed as one gets closer to the ground.

Turbulence is caused by the wind passing over obstructions such as trees and buildings.

Both wind shear and turbulence diminish with height and can be overcome simply by putting the machine sufficiently high above them as shown.

Wind speed decreases and turbulence increases where obstructions exist.

Consider also that downwind obstructions can be as detrimental to performance as upwind obstructions.



Tower Construction

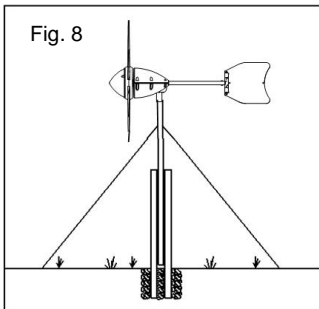
The Furlmatic 910-4 is designed to fit inside an aluminium, stainless or steel tube with an internal diameter of 41mm with a minimum wall thickness of 3mm. Maximum outside diameter of 50mm.

A suitable mounting pole can be erected using a 6.5 metre (21 feet) galvanised (medium) tube. The tube must be supported by a minimum of four guy lines.

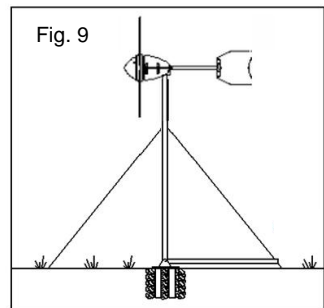
The attachment points for the guy lines to the tower should be securely fixed to the tower.

- The guy wires should be a minimum of 4mm in diameter.
- The shackles should be a minimum of 5mm in diameter.
- Rigging screws should be a minimum of 5mm in diameter.
- All items should be galvanised or stainless steel for protection against corrosion.
- Where guy lines are looped, the loop must incorporate a thimble and be fitted with a minimum of three rope grips.
- All ground fixings must be made suitable according to the terrain.

Pivot type towers are recommended as these allow for easier installation and lowering for access to the wind generator. Two forms of pivot tower are suggested in Figs 8 & 9. Non-guyed pivoting towers are available, for further details contact the dealer or manufacturer.



Centre pivoted pole



Base pivoted with gin pole

NB: See the warnings section regarding the tower. It is essential that the tower is maintained vertically to minimise lateral movement which interferes with the effective operation of the furling tail.

Further System Requirements

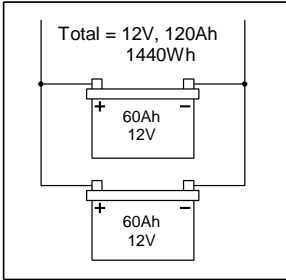


Fig 10. In parallel to increase amp hours

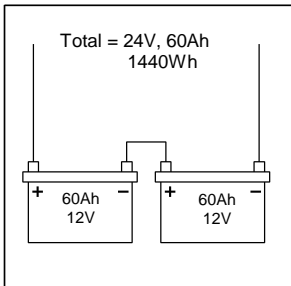


Fig 11. In series to increase voltage

Batteries

Leisure / Deep Cycle batteries are specifically designed for good performance in terms of charge / discharge cycles. Batteries are the most important part of the renewable energy battery charging system and should be sized according to the load requirements and provide at least 3 days reserve capacity. This will reduce cycling, prolong the life of the battery and ensure system reliability during periods of low wind.

- Permanent connections should always be made to the battery terminals. Never use crocodile clips or similar devices.
- We strongly recommend that one of the voltage regulators available from Marlec is fitted to prevent batteries becoming overcharged in strong winds and during low energy consumption periods. A regulator is essential with gel and sealed batteries.

- Batteries may be linked as shown in the figures 10 and 11. It is essential to observe polarity as follows:

Red is + Positive Black is - Negative

Cable Run (m)	Cable Size			
	12V		24V	
	mm ²	AWG	mm ²	AWG
0-20	2.5	13	1.5	15
21-30	4	11	2.5	13
31-45	6	9	4	11
46-80	10	7	6	9

Cable Specification

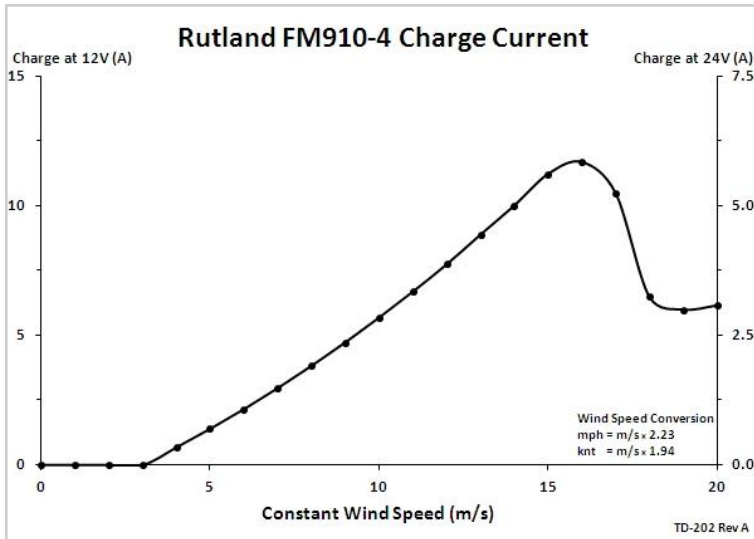
The cable used for connection of the Windcharger to the batteries should be in accordance with table. The use of a smaller cable than recommended will reduce the performance of the charging system.

Cable and connectors are available from your dealer or the manufacturer.

Specification and Performance

Guideline Performance Curve

Note : The curve shown below is for clear, non-turbulent wind conditions; this may not be achieved in some installations. Refer to the section on Siting to optimise performance at your site. Wind speeds are those flowing across the turbine of the Windcharger and may not reflect those measured at mast top or those reported by the Met. Office.



Maintenance and Troubleshooting

Inspection and Maintenance

The Rutland Windcharger requires no scheduled maintenance but an annual inspection should be carried out to monitor the general condition of the system to ensure the electrical and mechanical integrity and safety of the system.

WARNING! Before inspection, the turbine should either be lowered to the ground or tied to prevent the generator from turning. To stop the generator from turning proceed as follows:

1. Turn the wind generator out of the wind (180°) using the tail, apply the switch to stall mode on the charge regulator if used. The generator will gradually slow down.
2. Tie a blade to the mounting pole to prevent it from rotating.

Whilst the generator is stationary, the following routine checks should be performed:

1. Check the blades for damage, eg chips or nicks. Replace any damaged blades. The turbine should not be operated with damaged blades as this may cause imbalance resulting in premature wear and possible failure. Check the blade screws for tightness.
2. Check all other nuts, bolts and screws for tightness.
3. Check the yaw axis for free rotation.
4. Check the tail fin moves freely.
5. Check tower assembly for condition.
6. Check the tension of any guy wires if applicable. The tension of guy wires should be checked frequently during the first year.
7. The unit can be wiped with a mild detergent and rinsed with water to remove dirt and debris.

Note: The Windcharger is designed for continuous running to achieve maximum resistance to water ingress. Should you wish to take the unit out of service for an extended period it is recommend that the unit be removed from the mounting and stored in a dry location or covered.

Troubleshooting

In the unlikely event that your Rutland Windcharger should develop a defect, the turbine should first be tied to prevent the blades from turning to perform the static tests below. (Follow the procedure described in the Inspection and Maintenance section). It will be necessary to let it run for the tests to check for power production.

1. **Read the Electrical Connection and Up & Running** sections and be satisfied that your system complies.

2. **Is there sufficient wind?** The windcharger needs approximately 4-5 knots wind speed to start charging. The wind speed across the turbine blades may be greatly reduced in built-up areas compared with weather reports.

3. **Static Tests: Is the battery in good condition?** Check the voltage and electrolyte level of each battery. **Check electrical continuity** throughout the system, especially corrosion and poor connections in cable joins and connector blocks.

4. **Running Tests: Check for power output from the Windcharger, following this procedure:**

- Set a digital multimeter to DC Amps, scale of between 5 and 10 if possible. Connect the meter positive (+) probe to the wind generator output positive cable and the meter negative (-) to the regulator input positive. Provided there is sufficient wind there should be a current reading. This establishes that power is being delivered.

- Using the same multimeter setting as above measure between the regulator to battery + and the battery +. Provided there is sufficient wind there should be a current reading. This establishes if power is passing through the regulator.

- If both above are unsuccessful set the multimeter to DC Volts. Disconnect the wind generator from the regulator and connect the meter + to the wind gen + and the meter – to the wind gen -. Provided there is sufficient wind there should be a variable voltage reading according to the speed of the wind seen at the wind turbine. This will establish if the wind generator is able to deliver power or not.

- If tests A and C are successful but test B fails to produce results connect the wind gen directly to the battery. Set the digital multimeter to DC Amps and measure power between the wind gen + and the battery +. If a reading is measured, providing there is sufficient wind, then the regulator is faulty. If the wind turbine fails to deliver any current or open circuit V reading undertake the further tests below.

5. Mechanical inspection. It will be necessary to remove the Windcharger from its pole for the following tests.

6. Check the brushes and slipring for wear or damage. To inspect the brushes, remove the 6 screws joining the nacelle halves together and remove top half of nacelle. Remove the 4 screws connecting the bottom half of nacelle to the post adaptor and remove bottom half of nacelle. This now gives access to the 2 sets of brush holders (2 brushes in each). The brushes and slipring can then be inspected by removing the four self-tapping screws holding the brush holder assemblies in place. Remove any black deposits from slipring with fine emery paper. Heavy deposits and reduced power indicate a possible reverse connection to the battery. Check brushes for undue wear and replace if necessary.

7. Check hub for free rotation with generator disconnected from battery. the hub does not rotate freely, check for a possible short circuit in the wiring. If no wiring fault is found refer to your dealer or manufacturer.

If the above checks have identified a need for spare parts or failed to identify the problem you should contact Marlec who can advise you of your nearest distributor in their world wide network. In the first instance we recommend that you contact the company from whom the product was originally purchased.

If in doubt, refer to your dealer or manufacturer.

Francais

Introduction

Félicitations pour votre achat d'une éolienne Rutland Furlmatic FM910-4. Comme tous nos produits, elle a été fabriquée avec le plus grand soin, dans notre usine certifiée ISO 9001. Pour obtenir pleine satisfaction de votre éolienne FM910-4 nous vous recommandons de lire entièrement ce manuel et de vous familiariser avec son contenu **avant** de commencer l'installation ou de l'utiliser.

Principales Caractéristiques et Applications

- En cas de tempête, la turbine est protégée par un mécanisme automatique de mise en drapeau (« furling »), actionné par l'aileron. Le mécanisme oriente la turbine hors du vent si la vitesse de celui-ci dépasse 15 m/s.
- Le démarrage à vent à faible vitesse maximise la production d'électricité, même par des vents faibles.
- L'utilisation de matériaux de construction de haute qualité pour une longévité dans les environnements les plus rigoureux.
- La fourniture d'un courant électrique continu pour charger des bancs de batteries de 12 ou de 24 V.
- Conçue pour une utilisation terrestre permanente dans des applications d'alimentation électrique d'appareils professionnels et domestiques qui demandent peu de puissance.

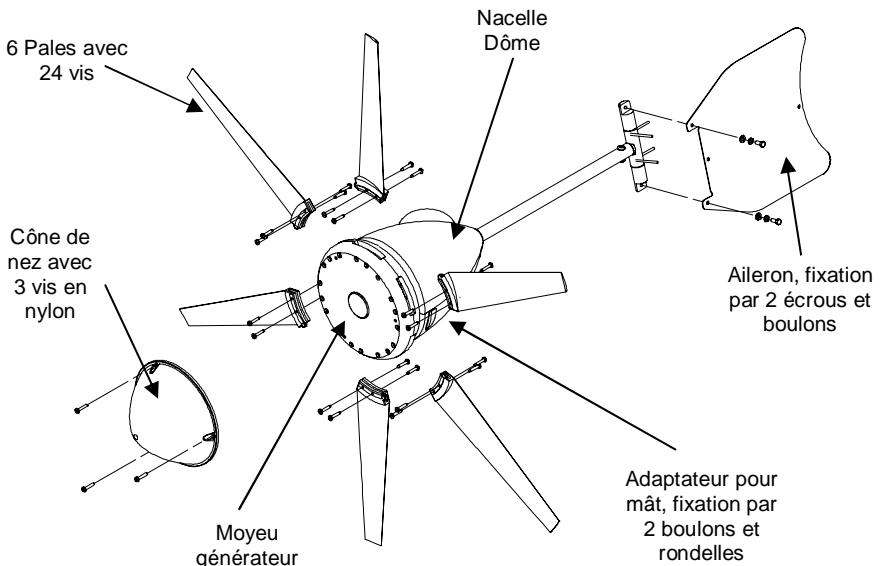
Informations Générales et Mises en Garde

- Pour assurer un montage en toute sécurité sur le mât de fixation, le diamètre extérieur de celui-ci NE DOIT PAS dépasser les 50 mm à son extrémité haute (sur une longueur de 0,5 m). Pour obtenir un mât adapté, la partie au-dessous peut avoir un diamètre supérieur. Pour le bon fonctionnement du mécanisme automatique de mise en drapeau, actionné par l'aileron, il est indispensable que le mât de fixation soit posé à la verticale. Notez, qu'un mât non maintenu sera soumis à des mouvements latéraux, particulièrement dans des vents violents et la mise en drapeau pourra en être affectée et exposer le Windcharger à des dommages potentiels.
- Lorsqu'elle fonctionne, l'éolienne peu générer de l'électricité à haute tension, c'est pourquoi elle ne doit pas tourner tant qu'elle n'est pas reliée à un régulateur ou à des batteries. Raccorder directement l'éolienne à l'installation électrique peut provoquer des dégâts importants en raison de la surtension. Pour éviter tout risque d'électrochoc, vous devez être constamment vigilant.
- Stopper l'éolienne – Cela peut s'avérer nécessaire avant d'intervenir sur les batteries. Dans la mesure du possible, il est préférable de le faire lorsque le vent est faible. L'éolienne peut alors être ralentie en orientant l'aileron contre le vent ce qui permet de l'immobiliser en l'attachant au mât avec une corde. Éviter de l'immobiliser trop longtemps. Il est recommandé de la couvrir pour la protéger des effets du climat ou de la déposer pour l'entreposer en lieu sec. Les régulateurs sont équipé d'un interrupteur Marche/Arrêt.

- Entre autres éléments de sécurité, effectuer l'installation par temps calme.
- Aucune tentative de réparation ne doit être engagée tant que l'éolienne n'est pas immobilisée.
- L'éolienne est équipée d'aimants céramiques qui peuvent facilement être abîmés lors de leur manipulation. Elle doit être maniée avec précaution durant le transport et le montage.
- Vents violents – le mécanisme automatique de mise en drapeau, actionné par l'aileron, du modèle « Furlmatic » oriente en cas de vents violents la turbine hors du vent pour la ralentir. La turbine se remet dans le vent si la vitesse du vent diminue. Dans des vents à des vitesses élevées, ce mouvement peut se répéter plusieurs fois. Comme élément de sécurité secondaire, le Windcharger est équipé d'un thermostat intégré qui protège le générateur contre une surchauffe dans des conditions extrêmes. Dans ce mode, la production d'électricité s'arrête. La turbine ralentit temporairement jusqu'à ce que la température baisse. Ensuite, le générateur est à nouveau branché et charge à nouveau. Cela peut se répéter plusieurs fois dans des vents violents qui durent, notamment avec des températures ambiantes élevées.

En cas de doute, se référer à votre revendeur, à un ingénieur compétent en électricité ou au fabricant.

Description



Assemblage et Installation

Guide de démarrage rapide en onze étapes

1. Sélectionnez un site dégagé qui expose le Windcharger à un flux de vent direct et sans obstruction. Cela est indispensable pour le bon fonctionnement du système de mise en drapeau, actionné par l'aileron. *Lisez la section sur le choix d'un site.*
2. Pour assurer un montage en toute sécurité sur le mât de fixation, sélectionnez-le avec un diamètre intérieur de 41 mm et un diamètre extérieur de moins de 50 mm à son extrémité haute (sur une longueur de 0,5 m). Tout jeu entre le mât et son adaptateur doit être éliminé par l'utilisation d'une « cale ».
3. Le cas échéant, percer les trous de fixation sur le mât et fixer l'éolienne au mât. *Voir le chapitre « Assemblage et installation de l'éolienne ».*
4. Choisir un câble adéquat à deux conducteurs pour relier l'éolienne au régulateur. Jusqu'à 20 m de longueur, choisir un câble d'une section de 2,5 mm². *Pour d'autres longueurs, se reporter au chapitre « Type de câble ».* Pour relier le régulateur à la batterie, un câble de 4 mm² est nécessaire.
5. Passer le câble dans le mât (*cela peut se faire au sol, avant de dresser le mât*)
6. Fixer les pâles, l'aileron et le cône avant sur l'éolienne, à l'aide des fixations fournies. *Chaque pôle doit être montée avec les quatre vis fournies.*
7. Utiliser le bloc de connexion fourni pour raccorder le câble passé dans le mât au câble sur l'éolienne. Protéger la connexion avec du ruban isolant. Vous pouvez aussi utiliser une prise *Nous recommandons d'effectuer une boucle et de la fixer afin de diminuer la contrainte sur la connexion.*
8. Pousser les câbles à l'intérieur du mât avec précaution, et poser l'adaptateur dans le mât. Aligner les trous de fixation et sécuriser le montage avec les rondelles et les vis fournies. *Empêcher la turbine de tourner à vide.*
9. Monter le régulateur à proximité de la batterie et suivre rigoureusement toutes les instructions ainsi que la séquence de branchements pour raccorder l'éolienne aux batteries.
10. L'éolienne ne doit en aucun cas pouvoir fonctionner sans être raccordée à la batterie, s'assurer que la connexion soit permanente.
11. Dresser et fixer le mât. L'éolienne est maintenant prête à fonctionner. Effectuer les vérifications (en 5 points) indiquées au chapitre « *Dressage et mise en service de l'éolienne* ». Les « Informations générales et mises en garde » énoncées ci-dessus doivent également avoir été intégrées.

Español

Introducción

Felicitaciones y gracias por comprar un cargador eólico Rutland Furlmatic FM910-4. Utilizamos sumo cuidado en la fabricación de todos nuestros productos en nuestra fábrica aprobada por la Norma ISO9001. Para asegurarnos de que reciba lo mejor de nuestro FM910-4 le recomendamos que lea este manual y se familiarice con su contenido antes de instalar y poner en funcionamiento el sistema del cargador eólico.

Características y usos

- El plegado automático de la aleta de la cola retira la turbina ante vientos superiores a 15 m/s como medida de protección frente a tempestades.
- El arranque de velocidad con viento suave maximiza la generación de energía con viento de baja intensidad.
- Materiales de construcción de alta calidad para garantizar la durabilidad en entornos agresivos.
- Proporciona un suministro de corriente continua para cargar bancos de baterías de 12 o 24 V.
- Diseñado para su aplicación permanente en terrenos donde se requiere una potencia reducida para alimentar dispositivos domésticos y profesionales.

Pautas y advertencias generales

- El diámetro exterior del mástil de montaje NO DEBE superar los 50 mm en los 0,5 metros superiores para garantizar un ajuste correcto. Debajo de dicha sección pueden utilizarse mástiles para crear una torre adecuada. Para que el funcionamiento del sistema de plegado de la cola sea el adecuado es imprescindible que el mástil de montaje se halle en posición vertical. Una torre no soportada experimentará movimientos laterales, especialmente con vientos de alta intensidad, que pueden afectar al plegado y dañar el Windcharger.
- Al girar, el cargador eólico es capaz de generar voltajes superiores al voltaje nominal. Nunca permita que la turbina gire a menos que se encuentre conectada eléctricamente a un regulador o a una batería. La conexión de una turbina que funciona con un circuito abierto al sistema eléctrico puede provocar daños graves a los componentes del sistema por el excesivo voltaje. En todo momento, tenga cuidado y evite las descargas eléctricas.
- Elija un día sin viento para instalar el equipo y tenga en cuenta otros aspectos de seguridad. No intente reparar el sistema hasta que el generador de viento este sujeto y no pueda girar.
- El cargador eólico esta ajustado con imanes cerámicos que pueden dañarse durante una fuerte manipulación. Tenga cuidado con el ensamblaje del generador principal durante el transporte y el montaje.

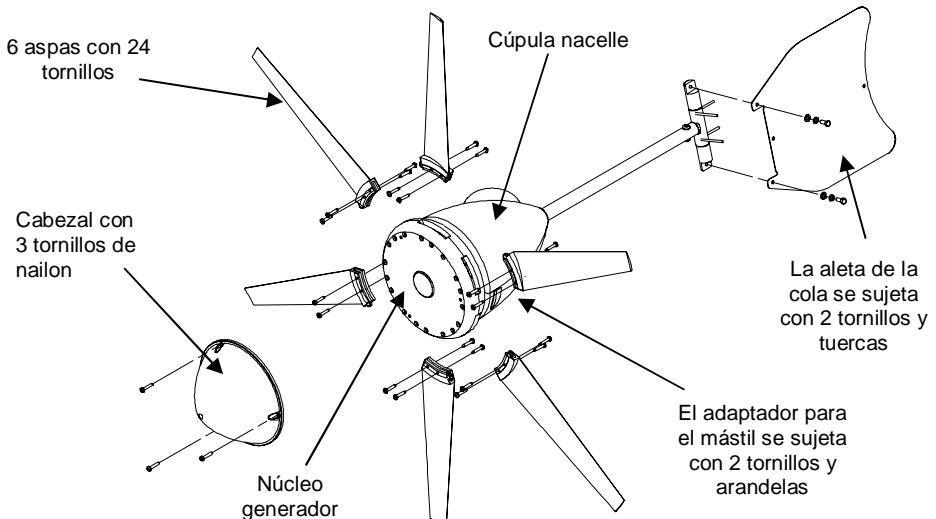
•**Detención de la turbina:** puede ser necesaria para realizar el mantenimiento de la batería. Si es posible, detenga la turbina en condiciones de viento a baja velocidad. Disminuya la velocidad de la turbina girando o dirigiendo la aleta de la cola contra el viento; esto disminuirá la velocidad de la turbina lo suficiente como para que ésta se pueda sujetar con una soga y sin peligro al mástil. Evite dejar la turbina atada durante mucho tiempo; le recomendamos que cubra la turbina para protegerla de la intemperie o retírela y guárdela en un lugar seco. Le recomendamos que utilice el regulador de carga Marlec que incluye un interruptor de desconexión.

•**Es esencial respetar la polaridad correcta al conectar el cargador eólico y todos los demás componentes en un circuito eléctrico.** Una conexión inversa dañará al cargador eólico y la instalación incorrecta anulará la garantía.

•**Vientos de alta intensidad:** El mecanismo de plegado de la cola en el modelo Furlmatic se pondrá en funcionamiento ante viento intenso, orientando la turbina fuera de la dirección principal del viento para reducir su velocidad. Volverá a situarse en la dirección del viento en cuando la velocidad descienda y efectuará esta operación en ciclos durante periodos de viento elevado. Como medida de seguridad adicional, el Windcharger incluye un termostato integrado, que funciona en condiciones extremas para prevenir el sobrecalentamiento del generador. Al iniciarse este modo, el suministro se detendrá y la velocidad de la turbina se reducirá hasta que la temperatura haya descendido y el generador se halle de nuevo conectado y en proceso de carga. Esta operación puede realizarse en ciclos durante periodos prolongados de viento intenso, especialmente en entornos de temperatura ambiental elevada.

Si tiene alguna duda, consulte con el proveedor, un ingeniero eléctrico competente o el fabricante.

Perfil



El montaje e instalación

Guía de inicio rápido de once pasos

1. Sitúe el Windcharger en un punto abierto donde esté expuesto al flujo directo del viento sin posibles obstáculos. La ubicación adecuada es imprescindible para que el sistema de plegado de la cola funcione correctamente. Consulte el apartado sobre la **Ubicación**.

2. Utilice un mástil de montaje con un diámetro interno de 41 mm y un diámetro externo inferior a 50 mm por lo menos en los 0.5 metros superiores para garantizar una sujeción correcta a la torre. Aplique una «cuña» para evitar cualquier posible juego entre la torre y el adaptador.

3. Perfore el mástil de montaje, en caso de ser necesario, para prepararlo para que tolere y sujete al cargador eólico. *Vea la sección Montaje e Instalación.*

4. Elija un cable de dos conductores adecuado para que el cargador eólico se conecte con el regulador. De hasta 20 m, éste debería ser un área de secciones de por lo menos 2,5 mm². Es necesaria una pequeña área de sección de 4 mm² para unir el regulador a la batería. *Para consultar otras distancias, vea la clasificación en Especificaciones para cables.*

5. Coloque el mástil de montaje (*esto puede hacerlo en el piso antes de levantar el mástil*) de tal manera que el cable seleccionado pueda enroscarse a lo largo del mismo.

6. Ajuste las paletas, la cola y la nariz del cargador eólico mediante los fijadores proporcionados. *Es esencial que ajuste 4 tornillos por paleta.*

7. Una el cable enroscado en el mástil al cable de salida del cargador eólico mediante el bloque conector proporcionado. Envuelva con cinta aisladora. O bien utilice un tapón o toma corriente con pestillo. *Le recomendamos enroscar el cable y asegurarlo con una cinta de sujeción para cables para aliviar la tensión en la junta*

8. Con cuidado presione los cables hacia el mástil mientras desliza el adaptador del mástil por el mismo. Alinee los orificios y sujételos en el lugar con los tornillos y arandelas proporcionadas. *No permita que la turbina gire libremente.*

9. Ubique el regulador de carga cerca de la batería y siga cuidadosamente TODAS las pautas y secuencias de instalación del regulador para conectar el cargador eólico a la batería.

10. Asegúrese de que las conexiones de la batería sean permanentes ya que el cargador eólico NUNCA debe ponerse en funcionamiento sin estar conectado a la batería.

11. Levante y sujete el cargador eólico. Ahora puede dejarlo que gire. Siga la “**Lista de control final de 5 puntos denominada: Instalado y en Funcionamiento**”, que se observa más adelante. También la sección “**Pautas y advertencias generales**” amplía sobre los puntos mencionados.

Deutsche

Einleitung

Wir gratulieren und bedanken uns für den Erwerb Ihres Rutland Furlmatic 910-4 Windcharger. Wir leisten die beste Sorgfalt bei der Herstellung von allen unseren Geräten gemäß dem anerkannten Betriebsstandard ISO9001. Zur Gewährleistung für alle Vorteile beim Gebrauch von FM910-4 bitten wir Sie diese Anleitung vollständig durchzulesen, bevor Sie mit der Montage und Inbetriebnahme des Windchargers fortfahren.

Zusammenfassung der Funktionen und Verwendungsmöglichkeiten

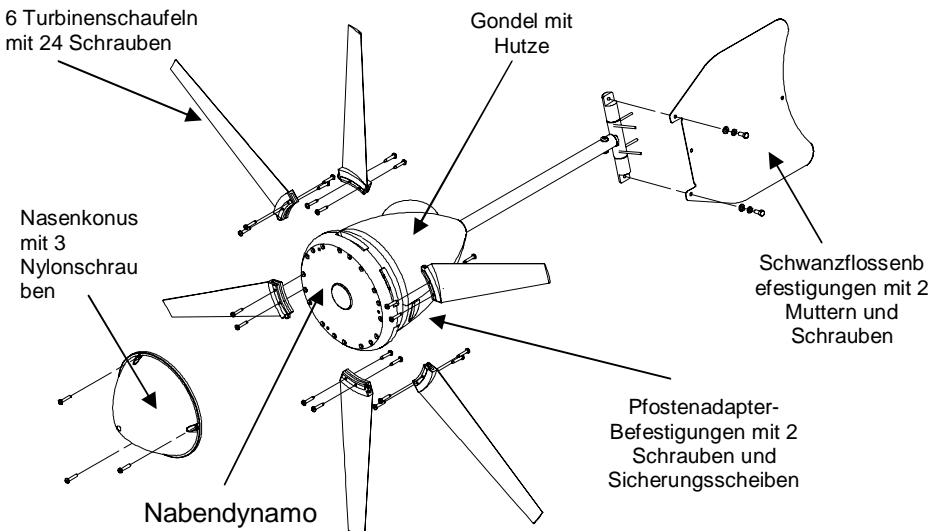
- Eine automatische, zusammenklappende Schwanzflosse lenkt den aus der Turbine strömenden Wind über 15 m/s, um gegen Starkwind zu schützen.
- Eine Inbetriebnahme bei niedriger Windgeschwindigkeit maximiert die Stromerzeugung bei schwachem Wind.
- Hochqualitative Baumaterialien sichern eine lange Lebensdauer auch in den rauesten Umgebungen.
- Ist mit einer DC-Stromversorgung zur Ladung von 12- oder 24-V-Batteriebanken ausgestattet.
- Für die Verwendung bei dauerhaft auf dem Festland basierten Anwendungen vorgesehen, bei denen für gewerbliche und häusliche Geräte niedrige Leistung benötigt wird.

Allgemeine Richtlinien & Gefahrenhinweise

- Der Außendurchmesser des Montagemastes DARF bei zumindest dem oberen 0,5 m 50 mm NICHT überschreiten, um eine sichere Montage auf dem Mast zu gewährleisten. Darunter können größere Mastabschnitte verwendet werden, um einen geeigneten Turm zu bekommen. Für den wirksamen Betrieb des klappbaren Schwanzsystems ist ein vertikaler Montagemast entscheidend. Beachten Sie, dass bei einem nicht unterstützten Turm besonders bei starken Winden Querbewegungen auftreten, wodurch das Klappsystem (Furling) negativ beeinflusst werden könnte und eventuelle Schäden am Windcharger auftreten könnten.
- Bei der Drehbewegung ist der Windcharger in der Lage Stromspannungen höher als die Nennspannung zu erzeugen. Es darf nie zugelassen werden, dass die Turbine rotiert, es sei denn das sie elektrisch mit einem Aufladekontrollgerät oder mit Batterien angeschlossen ist. Der Anschluss einer laufenden Turbine im Leerlauf an das Elektrosystem kann ernsthafte Schäden bei den Anlagebestandteilen, aufgrund der überhöhten elektrischen Spannung hervorrufen. Vorsicht ist stets zu bewahren zur Vermeidung eines Stromschlages.
- Das Anhalten der Turbine – wird bei der Wartung der Batterie notwendig. Falls möglich sollte die Turbine bei Bedingungen mit niedrigen Windgeschwindigkeiten gestoppt werden. Die Turbine kann durch das Rotieren oder durch das windwärts legen der Heckschaukel des Rotorblattes abgebremst werden, das führt zu einem Anhalten der Turbine, sodass sie sicher mit einem Seil an den Mast befestigt werden kann. Vermeiden Sie, dass die Turbine für längere Zeit festgebunden bleibt, wir empfehlen stattdessen, dass die Turbine entweder abgedeckt wird, um sie gegen die Witterung zu schützen oder entfernt und in einem trockenen Raum gelagert wird. Wir empfehlen den Nutzen des Marlec Aufladekontrollgerätes mit einem integrierten Schalter zur Stromabschaltung.
- Wählen Sie einen windstillen Tag für die Montage der Anlage und beachten Sie dabei weitere Sicherheitsfaktoren.
- Es darf kein Reparaturversuch an der Anlage stattfinden, bis alle Drehbewegungen des Windgenerators gedrosselt sind.

- Der Windcharger ist mit einem Keramikmagnet ausgestattet, der bei einer schwerwiegenden Handhabung beschädigt werden kann. Der Hauptstromgenerator sollte mit Sorgfalt während dem Transport und der Montage behandelt werden.
- Starke Winde – Der klappbare Schwanzmechanismus des Modells Furlmatic funktioniert bei starken Winden so, dass er die Turbine aus der vorherrschenden Windrichtung hinaussteuert, um die Turbine zu verlangsamen. Bei fallenden Windgeschwindigkeiten kehrt er in die dem Wind direkt ausgesetzte Position zurück und wird bei hohen Windgeschwindigkeiten ein- und ausgeschaltet. Die zweite Sicherheitsfunktion des Windcharger besteht aus einem Thermostat, der dazu dient, eine Überhitzung des Generators unter extremen Bedingungen zu vermeiden. In diesem Modus lässt die Leistung nach und die Turbine wird vorübergehend verlangsamt, bis zu dem Zeitpunkt, wenn eine niedrigere Temperatur erreicht ist und der Generator erneut angeschlossen und ein Ladevorgang durchgeführt wird. Dies könnte als ein Zyklus bei länger andauernden starken Winden, besonders bei hohen Umgebungstemperaturen, interpretiert werden.
- Außentemperaturen. Falls ein Zugriff ohne Gefahr möglich ist, wird es bevorzugt die Turbine zeitweise abzusichern.
- Es ist notwendig die korrekte Polarität zu beachten, wenn der Windcharger und alle weiteren Bestandteile an den elektrischen Stromkreis angeschlossen werden. Ein Rückwärtsstrom wird den Windcharger beschädigen und eine inkorrekte Installation führt dazu, dass die Garantie gegenstandslos gemacht wird.
Im Zweifelsfall wenden Sie sich bitte an Ihren Fachhändler, an einen fachkundigen Elektroingenieur oder an den Hersteller.

Profil



Montage und Installation

Kurzanleitung mit elf Anhaltspunkten

1. Wählen sie einen freien Standort, an dem der Windcharger einer freien Windströmung ausgesetzt ist und vermeiden Sie Hindernisse. Dies ist entscheidend für den effektiven Betrieb des klappbaren Schwanzsystems. Lesen Sie den Abschnitt über die **Standortwahl**.
2. Wählen Sie einen Montagemast mit einem inneren Durchmesser von 41 mm und einem äußeren Durchmesser von maximal 50 mm mindestens für den oberen 0,5 m, um eine sichere Befestigung am Turm zu gewährleisten. Jegliches Spiel zwischen dem Turm und dem Pfostenadapter muss mithilfe von Unterlegscheiben ausgeglichen werden.
3. Bohren Sie, falls erforderlich, in den Montagemast zur Vorbereitung der Befestigung und Inbetriebnahme des Windchargers. *Siehe Montage und Installation [Assembly and Installation].*
4. Wählen sie ein geeignetes zweiadriges Kabel für den Anschluss des Windchargers zum Aufladekontrollgerät. Bis zu 20 Meter, dies sollte mindestens von einer 2.5mm² Querschnittsfläche sein. Ein Kurzabschnitt von einer 4mm² Querschnittsfläche ist für die Verbindung zwischen dem Aufladekontrollgerät und der Batterie erforderlich. *Für weitere Abstände beziehen Sie sich bitte auf die Tabelle Kabelspezifikationen Cable Specifications*
5. Bringen Sie den Montagemast in eine bestimmte Stellung, sodass das gewählte Kabel aufgezogen werden kann, das kann auch auf dem Boden durchgeführt werden, bevor sie den Mast anheben.
6. Die Rotorblätter, das Heck- und Vorderteil an den Windcharger mit den mitgelieferten Befestigungsteilen montieren. *Wichtig ist, dass 4 Schrauben pro Rotorblatt angebracht werden.*
7. Schließen Sie das durchgezogene Kabel am Mast mit dem Kabelausgang des Windchargers mit der mitgelieferten Anschlussleiste an und mit Isolierband umwickeln. Es kann als Alternative eine einklinkende Steckvorrichtung verwendet werden. *Wir empfehlen das Kabel zurückzuschlingen, um es mit einem Kabelbinder zu befestigen und eine Zugentlastung am Verbindungsstück zu erzielen.*
8. Die Kabel mit Sorgfalt am Mast hinunter schieben, während das Passstück am Mast herunter gleitet wird. Die Löcher in eine Reihe bringen und an der Stelle mit den mitgelieferten Schrauben und Muttern befestigen und mit dem Sechskantstiftschlüssel befestigen. *Die Turbine darf nicht sich nicht unbehindert im Kreis drehen.*
9. Das Aufladekontrollgerät neben der Batterie lokalisieren und mit Sorgfalt ALLE Richtlinien und Installationsanweisungen für den Anschluss an den Windcharger bis durch zur Batterie befolgen.
10. Sicherstellen, dass die Batterieanschlüsse dauerhaft sind, da der Windcharger NIE ohne einen Anschluss mit der Batterie in Betrieb genommen werden darf.
11. Den Windcharger anheben und befestigen. Die Drehbewegungen können nun durchgeführt werden. Befolgen sie die im folgenden erläuterte "Inbetriebnahme – 5-Punkte Überprüfliste". *[Up and Running– 5 Points Final Checklist]*, ebenso die "Allgemeinen Richtlinien und Gefahrenhinweise", die sich auf die obengenannten Punkte beziehen.

Italiano

Introduzione

Complimenti e grazie per aver acquistato il Generatore eolico Furlmatic FM10-4. Tutti i nostri prodotti sono fabbricati secondo procedure rigorose nei nostri stabilimenti certificati ISO9001. Per essere sicuri di utilizzare al meglio il FM910-4 raccomandiamo di leggere questo manuale e di familiarizzare con il suo contenuto prima di installare e avviare il generatore eolico.

Caratteristiche e utilizzo

- La pinna di coda "avvolgibile" automatica dirige la turbina fuori vento a 15 m/sec per la protezione dalle raffiche.
- L'avvio a bassa velocità del vento massimizza la produzione di energia in presenza di venti deboli.
- Materiali da costruzione ad alta qualità per una maggiore durata negli ambienti più difficili.
- Fornisce un alimentatore DC per caricare gruppi di batterie da 12 o 24 V.
- Progettato per l'uso su applicazioni terrestri permanenti dove è necessaria una potenza bassa per dispositivi professionali e domestici.

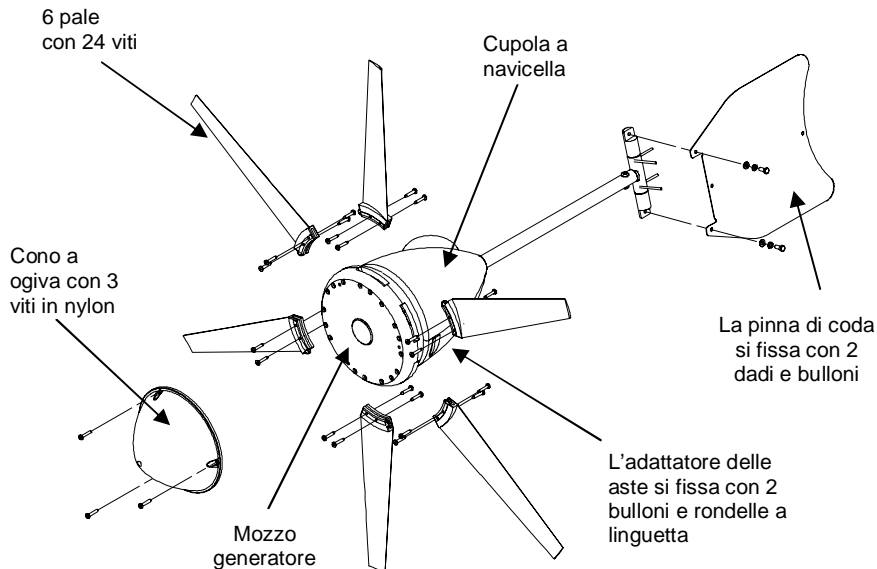
Linee guida generali e avvertenze

- Il diametro esterno dell'asta montante NON DEVE superare i 50 mm per almeno 0,5 m della parte superiore per garantire il montaggio sicuro sull'asta. Sotto tale sezione più larga, le aste possono essere utilizzate per realizzare una torretta idonea. È essenziale per l'efficace funzionamento del sistema di coda ad avvolgimento che l'asta montante sia verticale. Si osservi che una torretta non supportata subirà uno spostamento laterale in particolare in caso di vento forte e l'avvolgimento potrebbe essere influenzato negativamente con potenziali danni per il caricatore eolico.
- Mentre il generatore eolico gira, è in grado di generare tensioni in eccesso rispetto alla tensione nominale. La turbina non deve mai ruotare quando non è collegata elettricamente ad un regolatore o a batterie. Collegare una turbina a circuito aperto in funzione all'impianto elettrico si possono verificare gravi danni ai componenti dell'impianto a causa della tensione eccessiva. Occorre esercitare cautela in ogni momento al fine di evitare scosse elettriche.
- Arresto della turbina: potrebbe essere necessario per effettuare la manutenzione della batteria. Se possibile, la turbina deve essere arrestata con venti a bassa velocità. La turbina può essere rallentata ruotando o orientando il timone di coda sopravento, rallentando così la turbina a sufficienza per poterla fissare in modo sicuro al palo con una corda. Evitare di lasciare la turbina legata. Si consiglia di coprire o di proteggere la turbina dalle intemperie oppure di rimuoverla e di conservarla in un luogo asciutto. Si consiglia l'uso del regolatore di carica Marlec dotato di interruttore di spegnimento.
- Scegliete una giornata tranquilla per l'installazione dell'apparecchiatura e rispettate tutte le misure di sicurezza.
- Non deve essere fatto nessun tentativo di riparare l'impianto finché non viene impedito al generatore eolico di ruotare.

- Il generatore eolico è dotato di magneti di ceramica, che possono essere danneggiati se non vengono maneggiati con cura. Il blocco principale del generatore deve essere trattato con cura durante il trasporto e il montaggio.
- È fondamentale rispettare la corretta polarità quando si collega il generatore eolico e tutti gli altri componenti ad un circuito elettrico. La connessione inversa danneggerà il generatore eolico e l'installazione non corretta invaliderà la garanzia
- Vento forte – Il meccanismo di avvolgimento della coda del modello Furlmatic opererà con vento forte orientando la turbina fuori dalla direzione prevalente del vento in modo da rallentarla. Ritournerà ad affrontare il vento quando la velocità eolica diminuisce e opererà ciclicamente in presenza di vento a velocità elevata. Come misura di sicurezza secondaria il caricatore eolico ha un termostato incorporato che può operare in condizioni estreme per impedire il surriscaldamento del generatore. In questa modalità l'emissione cesserà e la turbina rallenterà temporaneamente fino al raggiungimento di una temperatura inferiore, e il generatore sarà nuovamente collegato e in ricarica. Ciò si può osservare ciclicamente in caso di venti forti prolungati, in particolare a temperature ambiente elevate.

In caso di dubbi, contattare il proprio rivenditore, un ingegnere elettrico o il produttore.

Profilo



Montaggio e Installazione

Guida rapida in 11 punti

1. Scegliere un luogo aperto che esponga il caricatore eolico ad un netto flusso di vento evitando ostacoli, questo è essenziale per un efficace funzionamento del sistema di coda ad avvolgimento. *Leggere la sezione **Ubicazione**.*
2. Scegliere un'asta montante con un diametro interno di 41 mm e un diametro esterno non superiore a 50 mm per la parte superiore da almeno 0,5 m per garantire un fissaggio sicuro alla torretta. Qualsiasi gioco tra la torretta e l'adattatore dell'asta deve essere corretto con uno "spessore".
3. Eseguire il foro nel palo di montaggio, se necessario, per accettare e fissare il generatore eolico. *Vedere la sezione **Montaggio e installazione**.*
4. Scegliere un cavo bipolare per collegare il generatore eolico al regolatore. Fino a 20 m questo dovrebbe avere un'area della sezione trasversale di almeno 2,5 mm². È necessaria una corta sezione di area della sezione trasversale di 4mm² per collegare il regolatore alla batteria. *Per le altre distanze vedere la tabella in **Specifiche del cavo**.*
5. Posizionare il palo di montaggio (*questo può essere eseguito sul terreno prima di sollevare il palo*) in modo che il cavo selezionato possa essere filettato lungo di esso.
6. Montare la coda e il naso al generatore eolico mediante i dispositivi di fissaggio in dotazione.
7. Unire il cavo filettato lungo il palo al cavo di uscita del generatore eolico utilizzando il connettore in dotazione. Avvolgere con nastro isolante. In alternativa utilizzare una spina e una presa di blocco. *Si consiglia di attorcigliare all'indietro il cavo e di fissarlo con un fermacavo per un fissaggio corretto al giunto.*
8. Spingere con cautela i cavi lungo il palo mentre si fa scivolare in basso l'adattatore del montante verso il palo. Allineare i fori e fissare in posizione con le viti e le rondelle in dotazione. Fissare con la chiave a brugola. **Non consentire alla turbina di girare liberamente.**
9. Localizzare il regolatore di carica vicino alla batteria e seguire con attenzione TUTTE le linee guida del regolatore e le sequenze di installazione per il collegamento del generatore eolico fino alla batteria.
10. Fare in modo che i collegamenti della batteria siano permanenti poiché il generatore eolico non dovrebbe MAI funzionare senza collegamento alla batteria.
11. Sollevare e fissare il generatore eolico. Ora può ruotare. Seguire la **"Checklist finale in 5 punti per il funzionamento corretto"** seguente. Anche la sezione **"Linee guida generali e avvertenze"** si occupa nel dettaglio di quanto specificato sopra.

Polski

Wprowadzenie

Gratulujemy i dziękujemy za turbiny wiatrowej Rutland FM-910-4. Podejmujemy usilne starania, aby wytwarzać wszystkie produkty w fabrykach posiadających certyfikat na zgodność z normą ISO9001. Aby zapewnić Państwu pełne zadowolenie z urządzenia Rutland FM910-4, przed rozpoczęciem instalacji turbinby wiatrowej i korzystania z niej zalecamy zapoznanie się z niniejszą instrukcją oraz zawartością zestawu.

Podsumowanie funkcji i możliwości użytkowania

- W celach bezpieczeństwa automatyczny statecznik ogona ustawia turbinę pod odpowiednim kątem do wiatru w przypadku podmuchów o prędkości większej niż 15 m/sek.
- Rozruch przy słabym natężeniu wiatru maksymalizuje wytwarzanie energii przy słabych podmuchach.
- Wysokiej jakości materiały konstrukcyjne zapewniają trwałość w najtrudniejszych warunkach.
- Urządzenie zapewnia prąd stały umożliwiający ładowanie akumulatorów o napięciu 12 lub 24 V.
- Urządzenie przeznaczone do zastosowań na lądzie stałym, gdzie do zasilania urządzeń specjalistycznych i domowych wymagana jest niewielka moc.
- Idealny montaż na ładowej wieży Rutland i przy zastosowaniu olinowania — patrz katalog produktów.

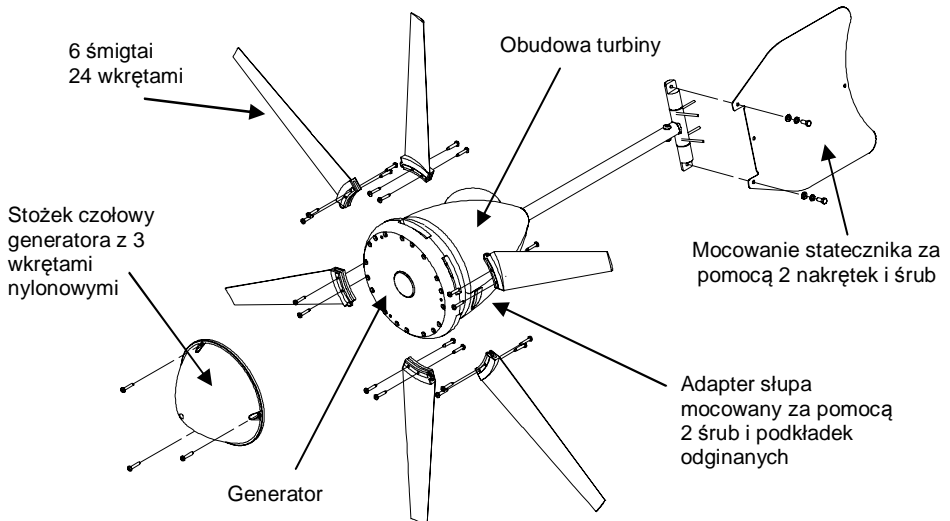
Ogólne wytyczne i ostrzeżenia

- Aby możliwy był montaż na maszcie, jego zewnątrz średnica NIE MOŻE przekraczać 50 mm przynajmniej na długości 0,5 m od szczytu. Poniżej tej długości można stosować profile o większej średnicy, aby uzyskać odpowiednią konstrukcję wieży. Aby możliwa była prawidłowa praca mechanizmu ustawiania pod odpowiednim kątem, maszt musi być zamontowany pionowo. Należy pamiętać, że nieusztynwiona wieża będzie poruszać się na boki szczególnie przy silnych podmuchach, co może negatywnie wpływać na odpowiednie ustawienie urządzenia względem wiatru i w konsekwencji powodować uszkodzenie turbiny wiatrowej.
- W czasie wykonywania ruchu obrotowego turbiny wiatrowej może generować napięcie przekraczające jego normalną wartość. Zabrania się dopuszczania do wirowania turbiny, jeżeli nie jest wykonane jej elektryczne połączenie z regulatorem lub akumulatorami. Podłączenie otwartego obwodu pracującej turbiny do układu elektrycznego może spowodować poważne uszkodzenie elementów tego układu wynikające zbyt wysokiego napięcia. W każdym wypadku należy zachować ostrożność, aby uniknąć porażenia prądem.
- W celu wykonania czynności związanych z obsługą akumulatora może zachodzić konieczność zatrzymania turbiny. W miarę możliwości turbinę należy zatrzymywać przy niskiej prędkości wiatru. Pracę turbiny można spowolnić, obracając lub ustawiając statecznik pod wiatr. Umożliwi to takie zmniejszenie jej prędkości, aby możliwe było jej zabezpieczenie za pomocą liny mocowanej do masztu. Należy unikać pozostawiania przywiązanej turbiny przez jakikolwiek czas. Zaleca się jej przykrywanie w celu ochrony przed warunkami atmosferycznymi lub demontaż i przechowywanie w suchym miejscu. Zaleca się stosowanie regulatora ładowania Merlec, który jest wyposażony w wyłącznik odcinający.

- Na instalację urządzenia wybrać spokojny dzień i wziąć pod uwagę inne względy bezpieczeństwa. Bez wcześniejszego uniemożliwienia ruchu generatora wiatrowego zabrania się podejmowania jakichkolwiek prób naprawy układu.
- Turbiny wiatrowej została wyposażona w magnesy ceramiczne, które mogą ulec uszkodzeniu w przypadku nieostrożnego obchodzenia się z nimi. W czasie transportu i montażu z głównym układem generatora należy obchodzić się ostrożnie.
- W czasie instalacji turbiny wiatrowej i wszystkich innych elementów w obwodzie elektrycznym należy zwrócić uwagę na prawidłowe podłączenie biegunów. Odwrotne podłączenie spowoduje uszkodzenie turbiny wiatrowej, a nieprawidłowa instalacja powoduje utratę gwarancji.
- Uwaga: jeżeli producent ustali, że konieczne było zastosowanie turbiny wiatrowej z automatycznym ustawianiem się względem wiatru, w przypadku uszkodzeń spowodowanych silnym wiatrem, następuje utrata gwarancji.
- Silny wiatr — mechanizm ustawiania się pod odpowiednim kątem w modelu Furlmatic działa przy silnych podmuchach, powodując wolniejszą pracę turbiny. Po ustaniu siły wiatru powoduje on ponowne czółowe ustawienie generatora. Ładowarka wiatrowa ma wbudowany termostat pełniący dodatkową funkcję bezpieczeństwa. Zadziała on w ekstremalnych warunkach, aby przeciwdziałać przegrzaniu generatora. W takim przypadku nastąpi przerwa w ładowaniu, a praca turbiny zostanie okresowo spowolniona do czasu spadku temperatury, kiedy to nastąpi ponowne podłączenie generatora i rozpoczęcie ładowania. Sytuacja taka może mieć miejsce w przypadku dłuższego utrzymywania się silnych wiatrów przy jednocześnie wysokiej temperaturze otoczenia.

W razie wątpliwości należy skontaktować się z dystrybutorem, kompetentnym elektrykiem lub producentem.

Profil



Montaż i instalacja

Szybka instrukcja uruchamiania w jedenastu krokach

1. Wybrać miejsce na otwartej przestrzeni, gdzie turbina wiatrowej będzie wystawiona na działanie równomiernych podmuchów wiatru, i gdzie nie występują utrudnienia, które mogłyby zakłócać skuteczną pracę mechanizmu ustawiania pod odpowiednim kątem. *Zapoznać się z punktem **Lokalizacja**.*
2. Wybrać maszt o średnicy wewnętrznej 41 mm i średnicy zewnętrznej nie większej niż 50 mm przynajmniej na długości 0,5 m od szczytu, aby możliwy był bezpieczny montaż do wieży. Wszelki luz pomiędzy wieżą i adapterem słupa należy wyeliminować za pomocą podkładki kompensacyjnej.
3. W razie konieczności wcześniej przewiercić maszt, aby możliwy był na nim montaż i mocowanie turbiny wiatrowej. *Zapoznać się z punktem **Montaż i instalacja**.*
4. Wybrać odpowiedni dwużyłowy przewód służący do połączenia turbiny wiatrowej z regulatorem. W przypadku długości do 20 m powinien to być przewód o przekroju przynajmniej 2,5 mm². *W przypadku innych długości należy zapoznać się z tabelą **Specyfikacja przewodów**.* Do połączenia regulatora z akumulatorem należy stosować przewód o przekroju 4mm².
5. Ustawić maszt (*można to zrobić na gruncie przed podniesieniem masztu*), aby możliwe było przeciągnięcie przygotowanego przewodu.
6. Zamocować czołową i ogonową część turbiny wiatrowej, korzystając ze znajdujących się w komplecie elementów złącznych.
7. Za pomocą znajdującego się na wyposażeniu bloku łącznika, połączyć przewód przeciągnięty przez maszt z przewodem wyjściowym turbiny wiatrowej. Owinąć połączenie taśmą izolacyjną. Ewentualnie zastosować mufę i obejmę. *Zaleca się zwinąć pętlę z przewodu i zamocowanie go taśmą zabezpieczającą, aby połączenie nie było narażone na obciążenia.*
8. Ostrożnie wcisnąć przewody do masztu, jednocześnie przesuwając adapter słupa w dół masztu. Dopasować otwory i wykonać połączenie za pomocą znajdujących się w komplecie śrub i podkładek odginanych. **Nie dopuścić do swobodnego obracania się turbiny.**
9. Umieścić regulator ładowania Merlec blisko akumulatora i starannie wykonać WSZYSTKIE instrukcje dotyczące regulatora oraz czynności związane z połączeniem turbiny wiatrowej z akumulatorem.
10. Połączenia z akumulatorem powinny być trwałe, ponieważ turbina wiatrowej nie powinna NIGDY pracować bez podłączenia do akumulatora.
11. Podnieść i zabezpieczyć turbiny wiatrowej. Teraz możliwa jest jej praca. Wykonać czynności opisane na „**czteropunktowej liście kontroli końcowej podnoszenia i pracy**”, która znajduje się w dalszej części niniejszej instrukcji. Powyższe zagadnienia są także szerzej opisane w punkcie „**Ogólne wytyczne i ostrzeżenia**”.

For Your Records

For your future reference we recommend you note the following:

Serial Number:

Date of Purchase:

Date of Installation:

Type of Regulator:

Notes:

LIMITED WARRANTY

The Marlec Engineering Company Limited Warranty provides free replacement cover for all defects in parts and workmanship for 24 months from the date of purchase. Marlec's obligation in this respect is limited to replacing parts which have been promptly reported to the seller and are in the seller's opinion defective and are so found by Marlec upon inspection. A valid proof of purchase will be required if making a warranty claim.

Defective parts must be returned by prepaid post to the manufacturer Marlec Engineering Company Limited, Rutland House, Trevithick Road, Corby, Northamptonshire, NN17 5XY, England, or to an authorised Marlec agent.

This Warranty is void in the event of improper installation, owner neglect, misuse, damage caused by flying debris or natural disasters including lightning and hurricane force winds. This warranty does not extend to support posts, inverters, batteries or ancillary equipment not supplied by the manufacturer.

No responsibility is assumed for incidental damage. No responsibility is assumed for consequential damage. No responsibility is assumed for damage caused by the use of any unauthorised components. No responsibility is assumed for use of a non "furling" versions of the Rutland Windcharger where Marlec or one of its authorised agents finds that a generator incorporating a furling device should have been used.

**Manufactured in the UK by
Marlec Engineering Co Ltd**



Did you know ...

Marlec also offer
**Solar Energy
Systems!**



Solar power to keep your
batteries topped up on-board

Energy saving solar
panels for your home



Solar power that works with your
Rutland Windcharger



Marlec Engineering Company Ltd
Rutland House, Trevithick Road, Corby,
Northants NN17 5XY

Tel: +44 (0)1536 201588 Fax: +44 (0)1536 400211

Email: sales@marlec.co.uk www.marlec.co.uk

